



- 500 lb. Capacity at 6 Inch Center of Gravity.
- 135 Degree Power Tilt.
- Variable Speed Rotation from 0.4 to 4.0 RPM.
- Fixed Table of 25.25".
- 19.5" Round Table with Slots.
- 300 Amp Rotary Ground Forward/Reverse Momentary Foot Pedal.
- 115/230 Volt.

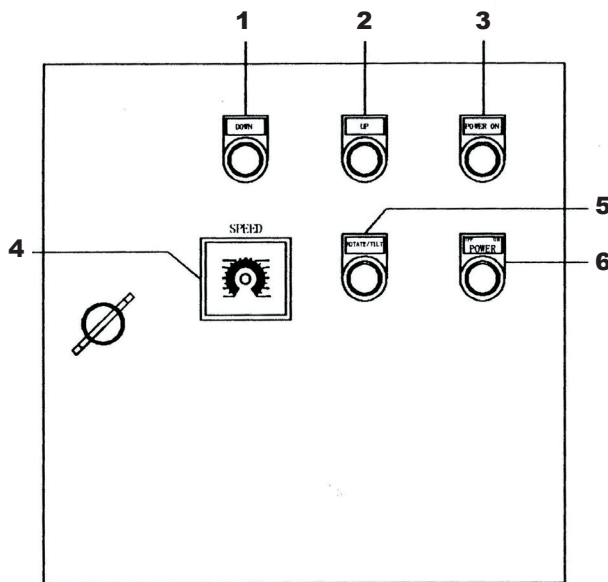
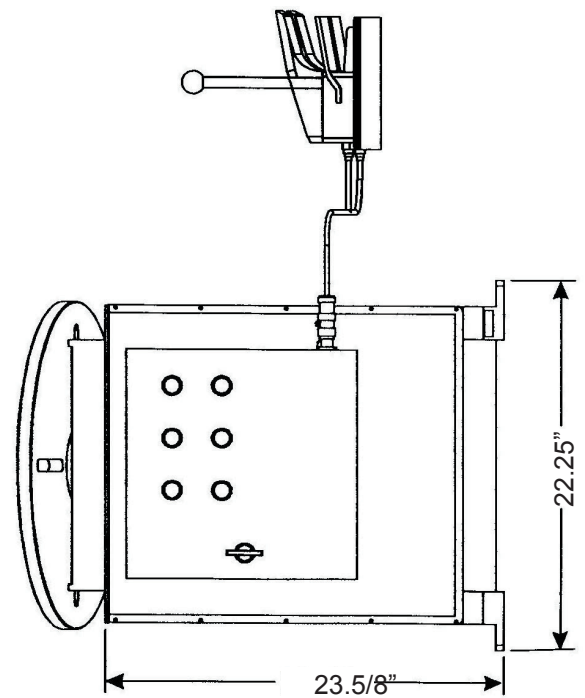
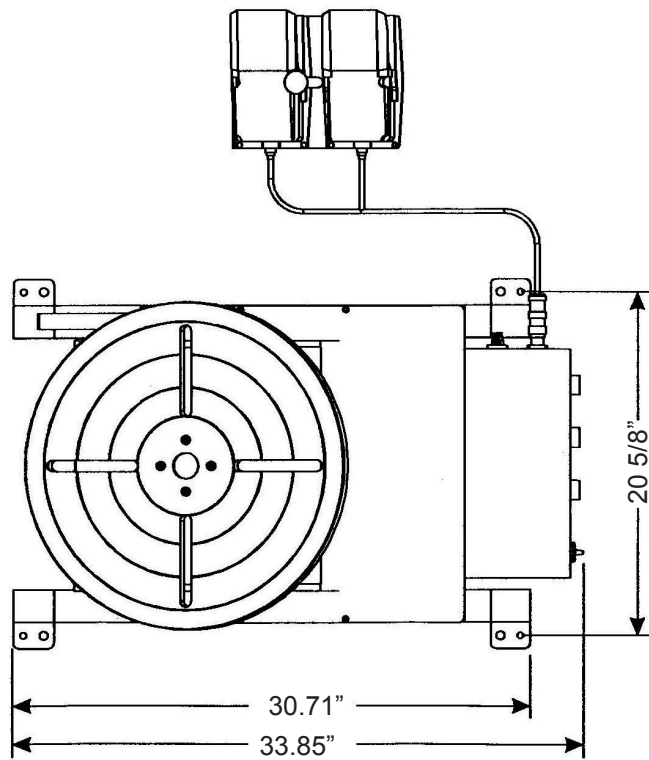


### Positioner Specifications

Horizontal Weight Capacity, (lbs) Note: C/G of load not to be more than 6" from Center of Turntable.	900
Vertical Weight Capacity, (lbs) Note: C/G of load not to be more than 6" from Center of Turntable.	500
Power Requirement, (Volts/Amps)	110V/230@ 10 amps
Rotation Speed Range, (RPM)	0.4 - 4
Table Diameter, (in.)	19.50
Tilting Angle	0 - 135°
Tilting Method	Motorized
Table Grounding	300 Amps
Table Height @ Horizontal, (in.)	25.25"
Unit Length, (in.)	33.85"
Unit Width, (in.)	26.00
Shipping Weight, (lbs)	530 lbs.



# Positioner Dimensional Drawings



1. Down: The table is going down when push the button switch.
2. Up: The table is going up when push the button switch.
3. Power On: It is direction the power on or off. The power on when this light is on.
4. Speed: It is to adjust the speed. The button switch is to adjust the speed of positional.
5. Rotate/Tilt: "Rotate" or "Tilt".
6. Power Off/On: "Turn on" or "Turn off" the power.

**PRIFAY**®

