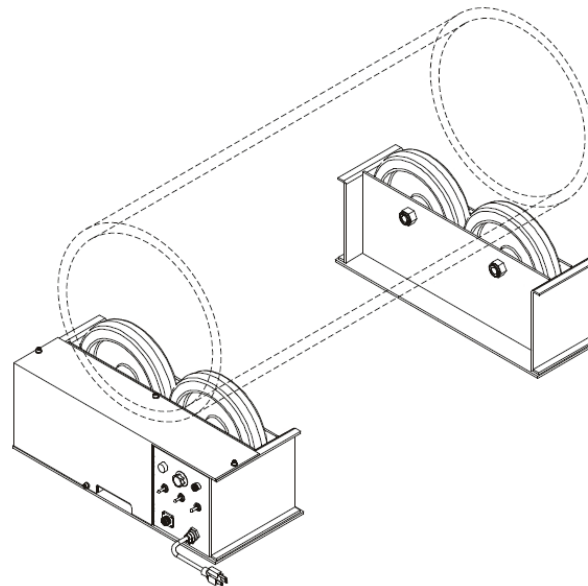
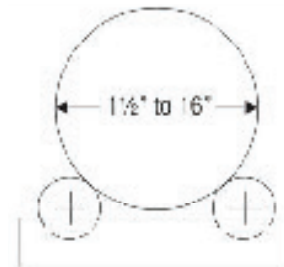


Profax 2000 lb Turning Roll Set

Maximum load capacity 2000 lbs.
(1000 lbs. max for each drive and idler)

Features:

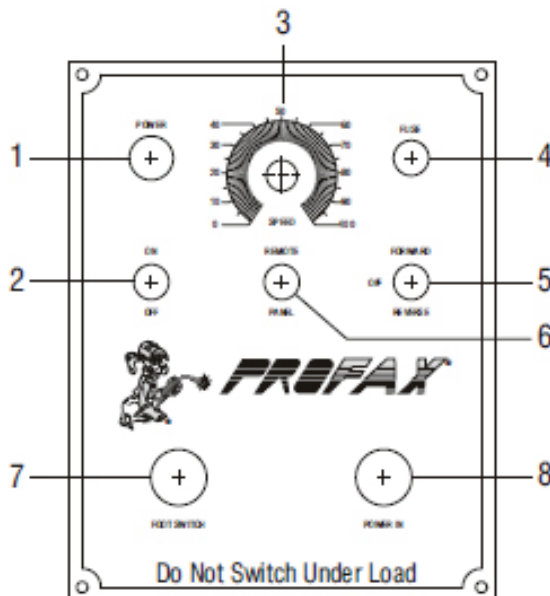
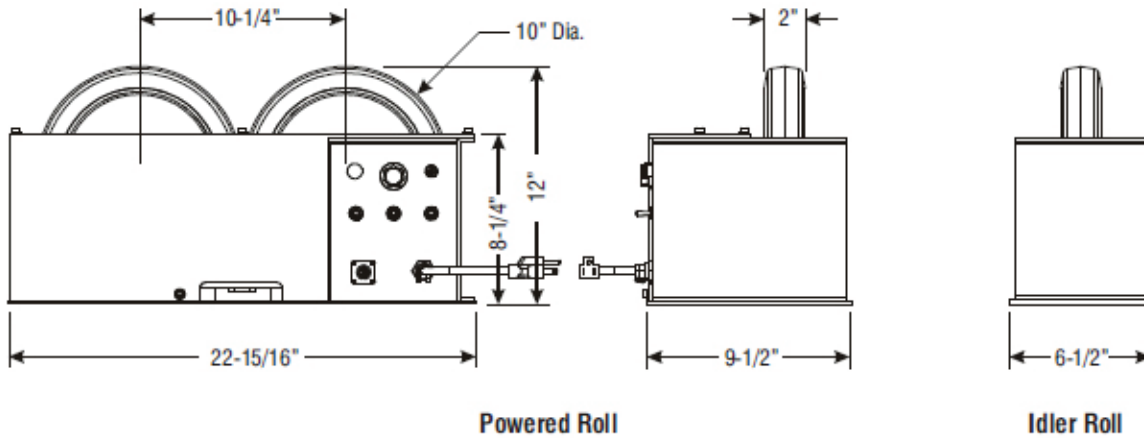
- Includes One Drive and One Idler
- 1-1/2" to 16" Diameter
- 0 to 4 RPM Rotation Speed
- 115V
- High Frequency Protected
- Standard w/Foot Control Switch
- Adjustable Drive Tension
- Shipping Weight 146 lbs.



Turning Roll Dimensional Drawings



Total Weight Capacity, Per Set	2000 lbs.
Motor, (Horsepower)	1/8
Power Requirement, (Volts/Amps)	115V @ 5 amps
Rotation Speed Range, (RPM)	0 - 4
Max. Work Diameter, (in.)	16"
Min. Work Diameter, (in.)	1-1/2"
Wheel Diameter, (in.)	10"
Wheel Width, (in.)	2"
Wheel Center to Center Spacing, (in.)	10-1/4"
Height to Top of Wheel, (in.)	9-7/8"
Power Unit Length, (in.)	22-15/16"
Power Unit Width, (in.)	9-1/2"
Idler Unit Length, (in.)	22-15/16"
Idler Unit Width, (in.)	6-1/2"
Shipping Weight Power & Idler Unit, (Lbs.)	146



1. **Pilot Light:** Lights up red when primary power is on.
2. **Power On-Off Switch**
3. **Speed Control:** Provides control of rotation speed from 0%(0 RPM) to 100%(8 RPM).
4. **Fuse Holder:** Fuse 5 amp
5. **Forward/Off/Reverse Switch:** Controls rotation. Forward (clockwise rotation) and Reverse (counterclockwise rotation).
6. **Remote/Panel Switch:** Remote = Start and stop are remotely controlled. Panel = Start and stop are operated from the control box.
7. **Remote Plug:** Plug-in for the foot switch to start and stop the rotation.
8. **Power in**

