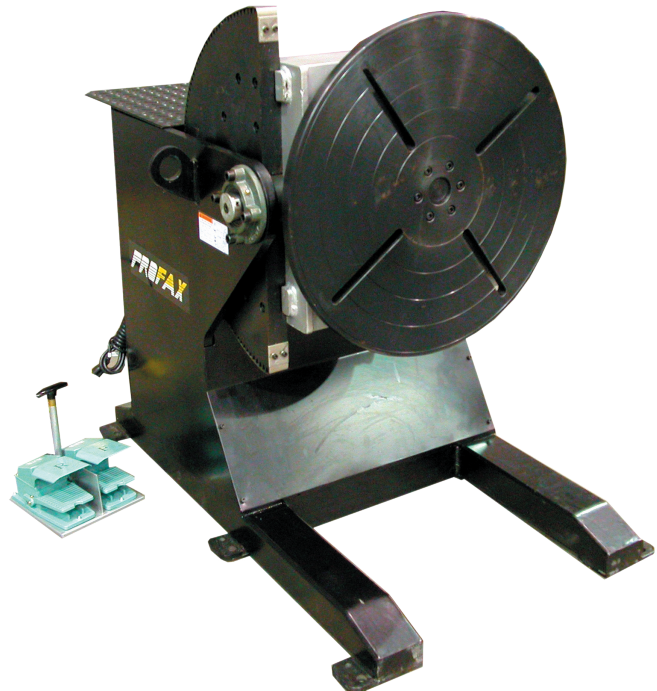


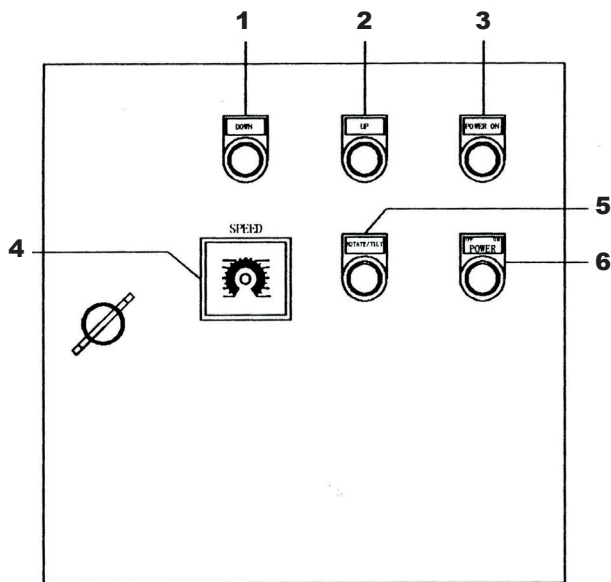
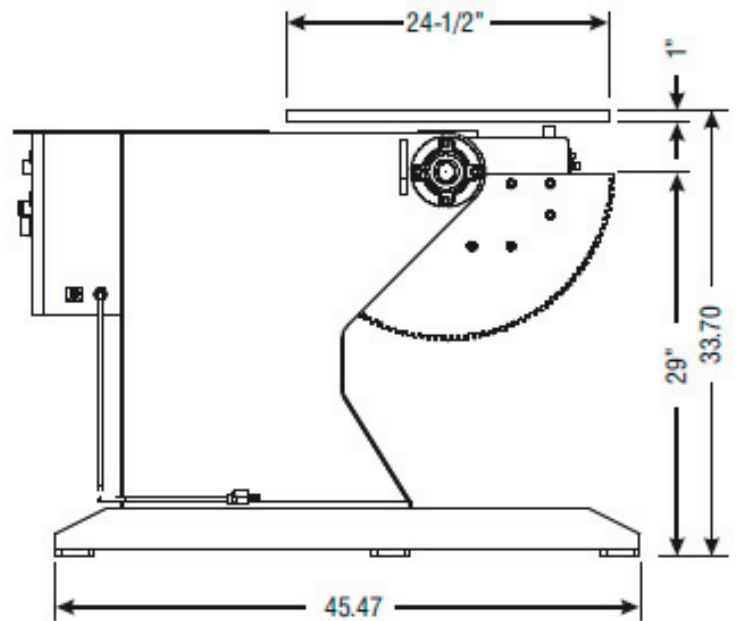
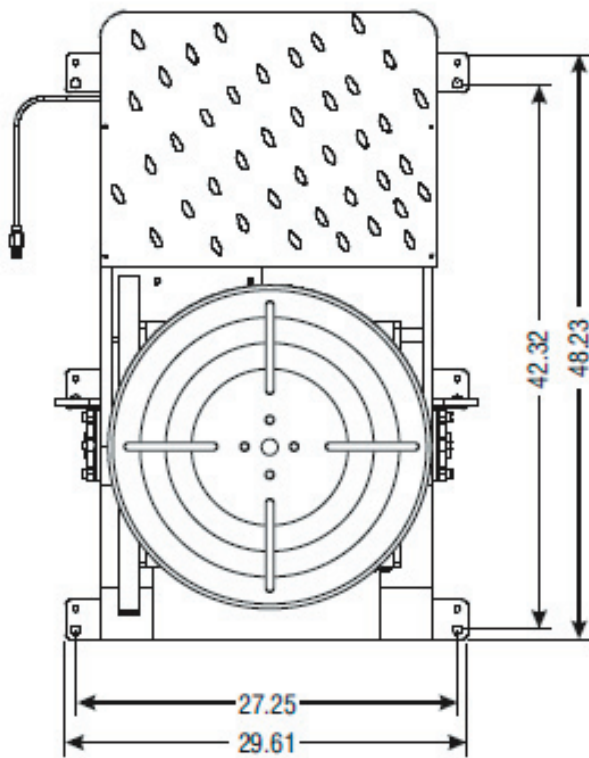
- 1000 lb. Capacity at 6 Inch Center of Gravity.
- 135 Degree Power Tilt.
- Variable Speed Rotation from 0.2 to 2.0 RPM.
- Fixed Table of 33.75"
- 24.5" Round Table with Slots.
- 500 Amp Rotary Ground Forward/Reverse Momentary Foot Pedal.
- 115 Volt.



Positioner Specifications

Horizontal Weight Capacity, (lbs) Note: C/G of load not to be more than 6" from Center of Turntable.	1750
Vertical Weight Capacity, (lbs) Note: C/G of load not to be more than 6" from Center of Turntable.	1000
Motor, (Horsepower)	1/4
Power Requirement, (Volts/Amps)	110V @ 10 amps
Rotation Speed Range, (RPM)	0.2 - 2
Table Diameter, (in.)	24 1/2"
Tilting Angle	0 - 135°
Tilting Method	Motorized
Table Grounding	500 Amps
Table Height @ Horizontal, (in.)	33.75"
Unit Length, (in.)	48.25"
Unit Width, (in.)	32.25

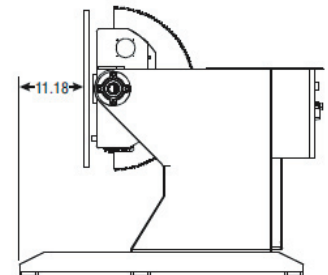
Positioner Dimensional Drawings



1. Down: The table is going down when push the button switch.
2. Up: The table is going up when push the button switch.
3. Power On: It is direction the power on or off. The power on when this light is on.
4. Speed: It is to adjust the speed. The button switch is to adjust the speed of positional.
5. Rotate/Tilt: "Rotate" or "Tilt".
6. Power Off/On: "Turn on" or "Turn off" the power.



Turn Table Face



Turn Table in Vertical Position

